

Parata HD Stock™ Carousel Large

HIGH-DENSITY STORAGE

Compact Storage in a Small Footprint

Parata's exclusive, high-density unit-of-use or unit dose carousel with independent rotating levels, enables technicians to quickly retrieve and stock medications.

- Easy access for refilling
- Fosters first-in, first-out inventory management
- Reduce fill time, space, and labor
- Ideal for unit dose AdherePac™ pouch organization
- No special wiring or floor reinforcement required
- Independently rotating shelves allow simultaneous access for multiple users
- Convert under-utilized corners to high density storage

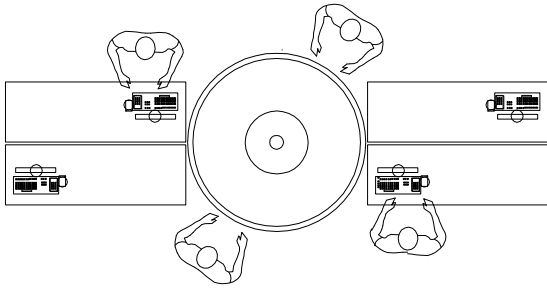
Ease-of-Access



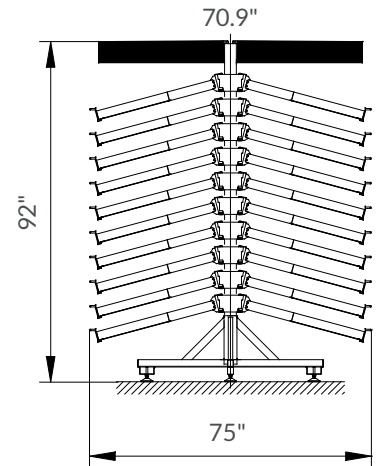
Carousel shelving provides ease-of-access and compact storage while drastically reducing the space required to store your pharmacy inventory.

Parata HD Stock™ Carousel Large

HIGH-DENSITY STORAGE



HD Stock Carousels allow multiple technicians to fill scripts simultaneously with ease and accuracy.



Function	Specifications
Size/Capacity	92" Height × 75" Diameter / 1,200 SKUs or 2,400 items.
Configuration	10 independent revolving levels. Each level includes 6 sloping trays.
Ease-of-Access	Magnetic interlocking trays are easily separated to allow restocking at the rear of each channel, clear plastic label holders for easy identification.
Adjustable Channels	Separate medications with moveable dividers.
Weight (lbs.)	1,130 lbs. (Empty)
Capacity (Weight)	Tray: 11 lbs. (Empty) Shelf (6 trays): 66 lbs. (Empty)

Additional HD Stock Products



HD Stock™ Cabinet



HD Stock™ Speed Shelving



HD Stock™ Workstation



HD Stock™ Drawers